

QUBE 2.25" SERIES RS INCREMENTAL SHAFT ENCODER



Starting at US \$170.00 S.R.P. List Price
(A ch only) with Double 3/8" shaft &
6 pin connector

FEATURES

WORLD ENCODERS

brand, Made in USA

- Qube 2.25" series RS is designed for application in industrial environments such as Measuring, Cut-to-Length, Size for Textile, Metal, Lumber and Rubber Industries.
- Tracking, Storage and Retrieval, Pick and Place, Conveying and Elevating for Material Handling applications.
- Environmentally IP54/NEMA 12 enclosure
- Up to 1200 P/R

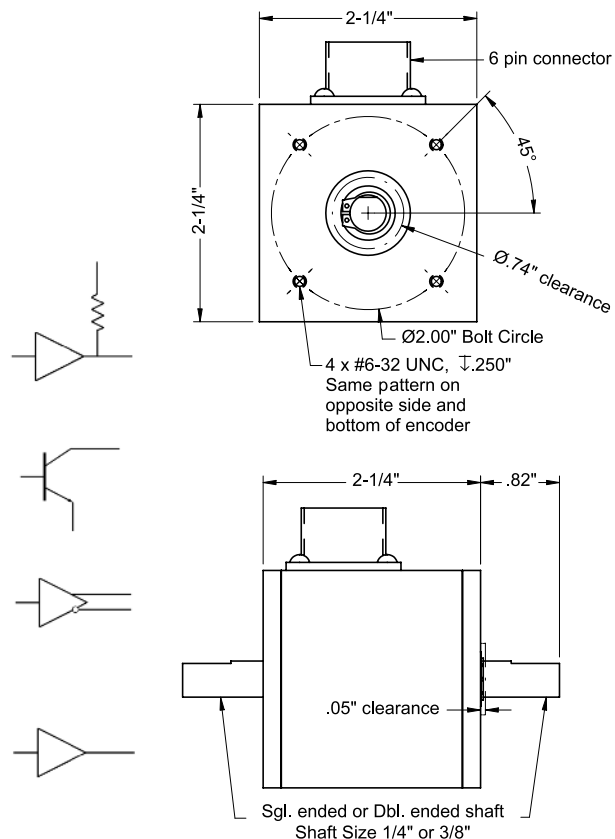
Electrical

Pulse per Revolution	Up to 1200 P/R
Output Format	Single Ended (A ch.) Dual Square Wave in Quadrature (A & B ch.) Dual Square Wave in Quadrature with Index (A, B, Z ch.)
Supply Voltage (v) & Output Circuit	
8-30	Pull-up Resistor TTL current sinking (Max. 50mA)
5-26C	Open Collector 7273 (Max. 50mA)
5-26D	Diff. Line Driver 7272 (Max. 100mA)
5-26PP	Push-Pull Resistor 7272 (Max. 50mA)
Frequency Response	100kHz
Duty Ratio	50±25%
Phase Shift	25±12.5%
Index Signal Width	100±50%

Mechanical

Shaft Diameter	1/4", 5/16", 3/8", 1/2"
Shaft Type	Sgl. ended, Dbl. ended
Shaft Loading 1/4", 3/8"	Axial: 15 lbs. Radial: 25 lbs.
Shaft Loading 1/2"	Axial: 35 lbs. Radial: 45 lbs.
Rated Speed	6000 RPM
Materials	Aluminum Case (Anodized) Shaft: 303 Stainless
Weight	13 oz.

DIMENSIONS



Outputs

- **Pull Up Resistor (Current Sinking)** An NPN transistor with a pull-up resistor and capable of sinking 50ma of current per output. This type of encoder output is used with a PLC or other control device that sources current. Current flows out of the PLC to the encoder, which uses the NPN transistor to represent binary logic by optionally switching the current source to ground.
- **7273 Open Collector (NPN)** For applications requiring an uncommitted output. The output voltage level can be pulled up with an external resistor to a maximum of 30vdc. Maximum sink current is 50ma. per output.
- **Differential Line Driver (7272)** An 7272 differential line driver that generates complimentary outputs: A / -A, B / -B, and Z / -Z as needed. The encoder must be operated at 5-26 vdc, input and output.
- **Push-Pull (7272)** This general purpose output functions as a PNP transistor for applications requiring a current sourcing output. It functions as an NPN transistor with 3.3K pull-up for applications requiring a current sinking output. This output is TTL compatible when used with a 5vdc supply. Maximum source / sink current is 50 ma. per output.

QUBE 2.25" SERIES RS INCREMENTAL SHAFT ENCODER

Environmental

Temperature	Operating: 0 ~ 70°C Storage: -10 ~ 85°C
Operation Humidity	35-85% without condensation
Vibration	Max 10g (58 to 500 Hz)
Shock	50g (11 ms duration)
Enclosure	IP-54/NEMA 12

Wiring Diagram

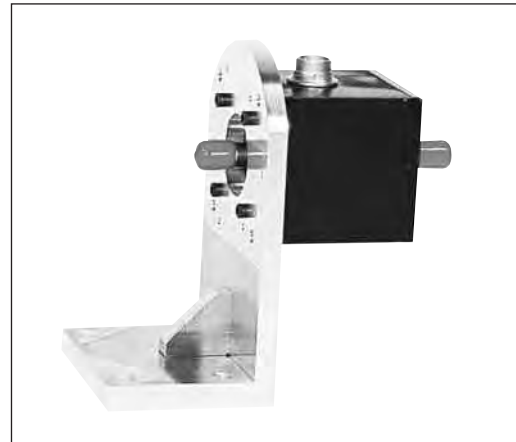
PIN #	6 Pin Sgle-ended	Same Wire Color	6 pin Diff. Line Driver	Same Wire Color
A	Common	Black	Common	Black
B	Supply Voltage	Red	Supply Voltage	Red
C	N/C	—	A ch.	White
D	A ch.	White	A not ch.	Blue
E	N/C	—	B ch.	Green
F	N/C	—	B not ch.	Brown
Mating Connector		MS 3106A (Shell), 14S-6S (Insert)		
Mating connector with 10 ft Cable Ass'y		A ch. only	Part #C6-3-10CF (3 wires)	
		A, B, Z ch.	Part #C6-6-10CF (6 wires)	

PIN #	8 Pin Diff. Line Driver w/Index Z	Same Wire Color
1	A ch.	White
2	B ch.	Green
3	Z ch.	Yellow
4	Supply Voltage	Red
5	Common	Black
6	A not ch.	Blue
7	B not ch.	Brown
8	Z not ch.	Orange
Mating Connector		8 pin 16 mm Metric Circular Conn.
Mating Connector with 10 ft Cable Ass'y		Part #D8-8-10 (8 wires)

Measuring Wheels



**3.5" Center Hgt Foot Bracket
#LM-001**



Mating Connector with 10 ft cable ass'y



QUBE 2.25" Series RS Incremental Shaft Encoder

Model	Shaft Size	Prog.	Shaft Style	Channels	Resolution	Anti-Jitter	Voltage/Output
RS	<input type="checkbox"/>	<input type="checkbox"/>	<input type="checkbox"/>	<input type="checkbox"/>	- <input type="checkbox"/> <input type="checkbox"/> <input type="checkbox"/> <input type="checkbox"/>	<input type="checkbox"/> <input type="checkbox"/> /	<input type="checkbox"/>

ORDERING INFORMATION

RS	B: 3/8" (Std.)	Blank: Std.	Blank: Sgl-ended Shaft	Blank: Sgl-ended (A ch. Only)	60	500	Blank: Std. AJ: Anti-jitter	8-30 = Pull-up Resistor TTL Current Sinking 8-30vdc 5-26C = Open Collector 5-26vdc (NPN w/o resistor) 7273 5-26D = Diff. Line Driver 7272 5-26vdc in, 5v out 5-26PP = Push-Pull resistor 7272 5-26vdc
	C: 1/4" (Std.)	P: Programmable	D: Double-ended Shaft	Q*: Dual Quadrature (A & B ch.)	100	512*		
	.5: 1/2" (Opt.)			120	600*			
	A: 5/16" (Opt.)			180*	720*			
				200*	1000			
	250*	1024						
	300*	1200*						
				360				

PRICING INFORMATION

Model	Shaft Size	Prog.	Shaft Style	Channels	Resolution	Anti-Jitter	Voltage/Output	
RS Base Price \$170.00	B: 3/8" N/C C: 1/4"	Blank: Std. N/C	Blank: Sgl-ended Shaft N/C	Blank: A Ch. Only N/C	60 Thru 600	Blank: Std. AJ: Add \$40.00	8-30: N/C (Pull-up)	
							5-26C: Add \$25.00 (Open Collector)	
	.5: 1/2" Add A: 5/16" \$10.00	P: Programmable Add \$30.00	D: Dbl-ended Shaft N/C	*Q: A & B Ch. Add \$30.00	*QZ: A, B & Z Ch. Add \$80.00		720 Thru 1200	5-26D: Add \$25.00 (Line Driver)
								5-26PP: Add \$25.00 (Push-Pull)

Standard Stock Items: Shipped immediately. *Lead Time: 7 - 10 days to ship.

PART NUMBER	LIST PRICE	PART NUMBER	LIST PRICE
RSB60/8-30	\$170.00	Mating Connector with 10 Ft. Cable Assembly	
RSB120/8-30	\$170.00	#C6-3-10CF (A ch. Only-Sgl.ended)	\$32.00
RSB360/8-30	\$170.00	MS 6pin Mating w/10ft cable (3 wires)	
RSB500/8-30	\$170.00	#C6-6-10CF (A,B & Z chs.-Sgl.ended)	\$35.00
RSB1000/8-30	\$195.00	MS 6pin Mating w/10ft cable (6 wires)	
RSBD60/8-30	\$170.00	#D8-8-10 (Linedriver)	\$45.00
RSBD120/8-30	\$170.00	Amphenol 16mm Circular Mating	
RSBD360/8-30	\$170.00	w/10ft cable (8 wires)	
RSBD500/8-30	\$170.00	Mounting Flange	
RSBD1000/8-30	\$195.00	#MB-FL3	\$18.00
RSC360/8-30	\$170.00	Rectangular Flange	
Best Selling Models for Conveyors			
RSBQ-500/8-30	\$200.00	2.25" W x 3.25" L x 0.25" T with 1" hole in center.	
RSBQ-600/8-30	\$200.00	#LM-001	\$90.00
RSBQ-1000/8-30	\$225.00	3.5" Center Height Ft. Mounting Bracket	
RSBQ-1200/8-30	\$225.00	5.25" H x 3.2" W x 2.5" L w/1.25" hole	
RSB-5AJ/8-30	\$210.00	Measuring Wheels	
RSB-P64AJ/8-30	\$240.00	#MW-1-B	\$36.00
		3" Dia, 12" Circumference 3/8" wide, 3/8" Hub I.D.	
		#MW-1W-B	\$36.00
		3" Dia, 12" Circumference 1" wide, 3/8" Hub I.D.	
		#MW-30-B	\$36.00
		30cm Circumference 3/8" wide, 3/8" Hub I.D.	
		#MW-30W-B	\$36.00
		30cm Circumference 1" wide, 3/8" Hub I.D.	

Standard Stock Items: Shipped immediately. *Lead Time: 7 - 10 days to ship.