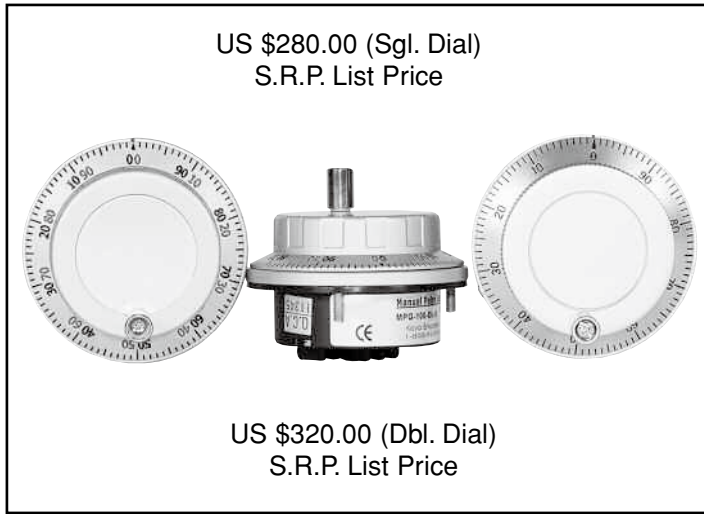


Series MPG/SIZE 30 HAND WHEEL



For CNC Panels Interchangeable with

- Euchner
- Nemicon
- Sumtak
- Fanuc

FEATURES

- Std. Interchangeable Designed
- Quadrature Dual Channels
- Line driver 5v and Voltage 8-26v Outputs

SPECIFICATIONS

Electrical

Outputs	Line Driver	Voltage Output-TTL (NPN)
Pulse per Revolution	100 PPR	
Supply Voltage	5 v±0.25 v dc	8-26 v dc
Output Voltage (VH)	≥2.5 v	V _{cc} -1.0 v
Output Voltage (VL)	≤0.5 v	≤0.5 v
Current Requirement	≤60 mA (No Loading)	
Sink Current	≤20 mA	
Output Capacity	Sync. Current: 20 mA, Residual Voltage: ≤0.5 v	
Phase Difference	Quadrature Square Wave A & B: 90°±45° (T/4±T/8)	
Rise/Fall Time	≤2 μs	
Frequency Response	0-10 kHz	
Insulation Resistance	20 MΩ At 500 v dc Megger (Circuit-Body)	

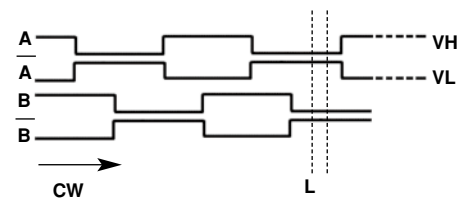
Mechanical

Dial Rotating Speed	600 r/min.-Max., 200 r/min.-Normal (Continuous)
Starting Torque	8.34 ozf-in (600 gf-cm) at 25°C
Rotational Life	10x 6 bits turns at ≤ 200 rpm
Weight	8.2 oz (270 g)

Environmental

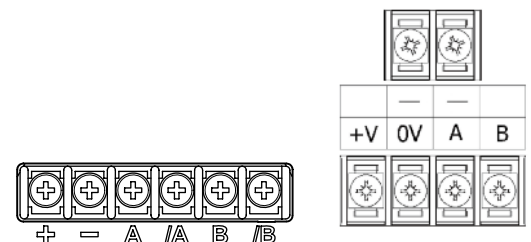
Operating Temperature	0° to 60° C
Humidity	RH 35% to 90% no condensation
Storage Temperature	0° to 80° C
Vibration	10-50 Hz/1.5mm X, Y, Z - 2 hrs. each
Shock	50 G per 11 ms
Enclosure	IP54/NEMA 12

OUTPUT WAVE FORMS



Relation between output signals and click stop position.

CONNECTIONS



L.D.
5VDC

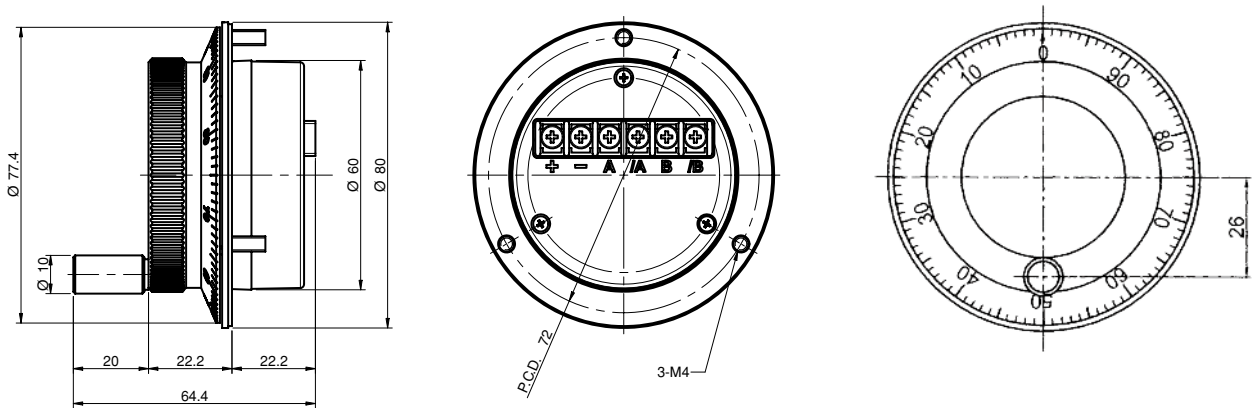
Voltage
8-26VDC

MPG-100-L5

MPG-100-V

Series MPG / Size 30 Hand Wheel/Single Dial

MODEL NUMBER	SPECIFICATION	LIST PRICE
MPG-100-L5	100 Pulse, 5vDC, Linedriver Output, Quadrature Dual Channels	\$280.00
MPG-100-V	100 Pulse, 8-26vDC, Voltage TTL Output, Quadrature Dual Channels	\$280.00



Series MPG / Size 30 Hand Wheel/Double Dial (Black: CW Red: CCW)

MODEL NUMBER	SPECIFICATION	LIST PRICE
MPG-100-DL-5	100 Pulse, 5vDC, Linedriver Output, Quadrature Dual Channels	\$320.00

